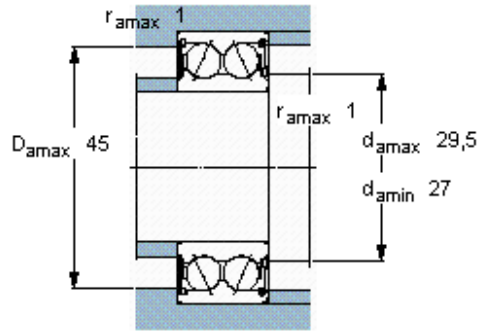
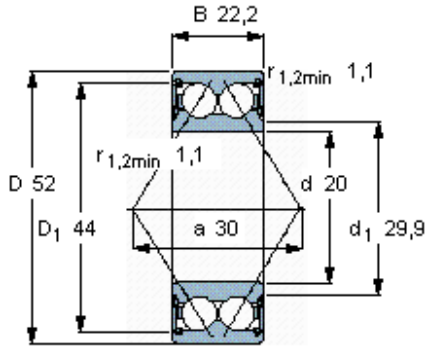


Angular contact ball bearings, double row

Principal dimensions			Basic load ratings		Speed ratings		Designation
d	D	B	dynamic C	static C0	Reference speed	Limiting speed	
mm			kN		r/min		* SKF Explorer bearing
20	52	22,2	23,6	14,6	-	9000	3304 A-2RS1TN9/MT33 *



Calculation factors

- $k_r 0,07$
- $e 0,8$
- $X 0,63$
- $Y_1 0,78$
- $Y_2 1,24$
- $Y_0 0,66$